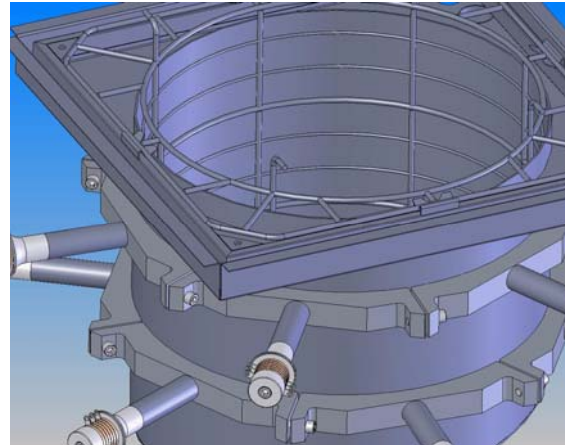
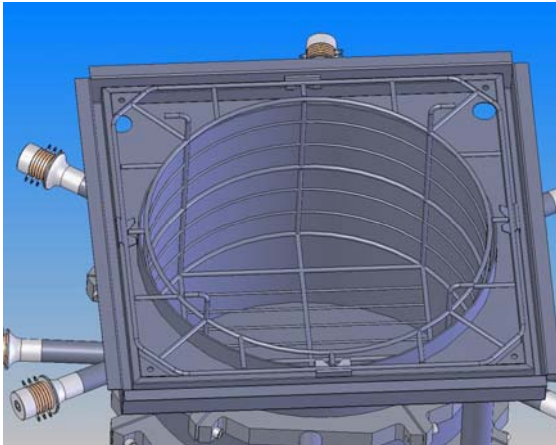
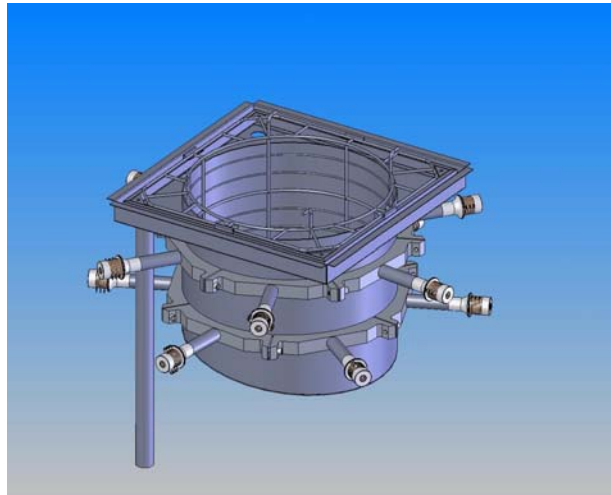


**PROJECT PROPOSAL: Tubular Ultrasonic Clamp-On
Reactor Design for Cleaning in Nuclear Industry,
Extractions and Sonochemistry**



**Unlimited tube length
Omnidirectional cleaning
Unlimited ultrasonic power
MMM, wideband, multifrequency technology**