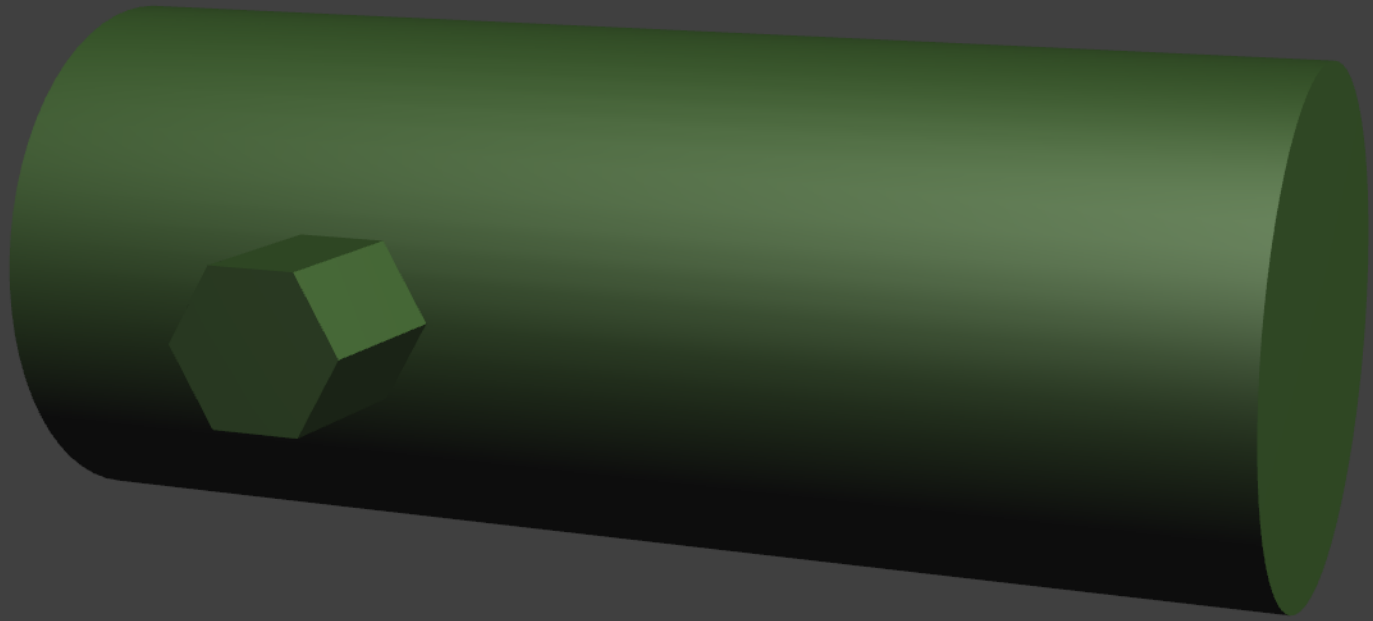
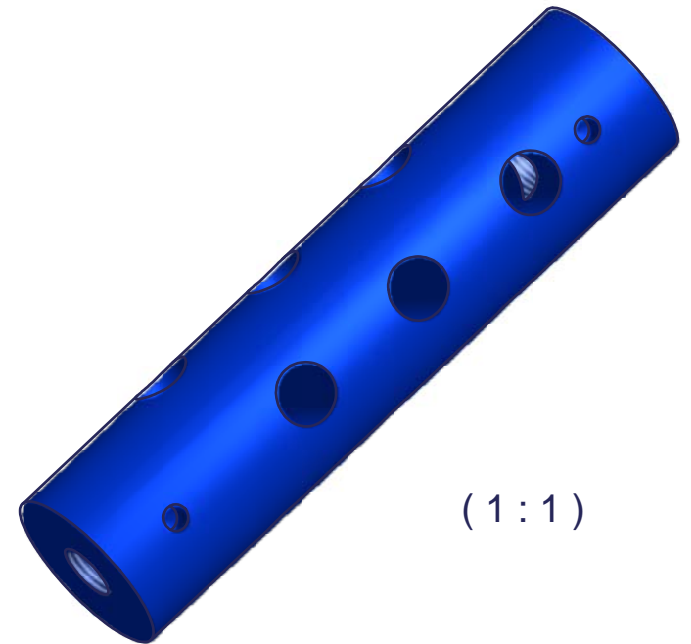
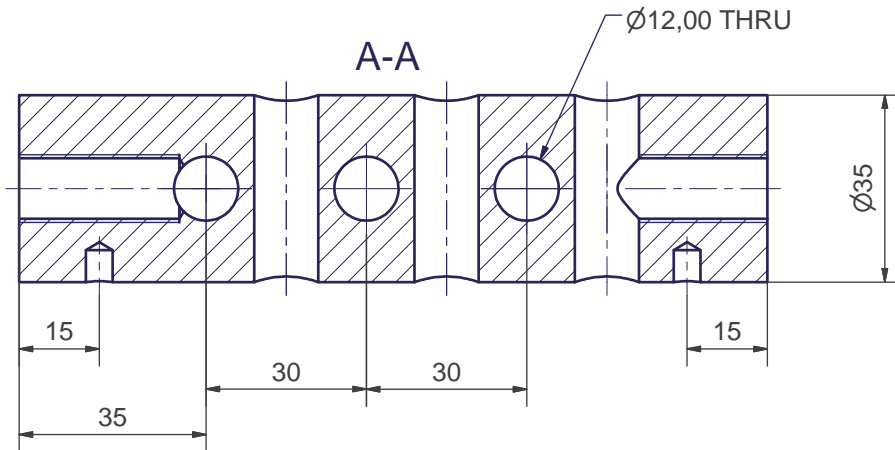
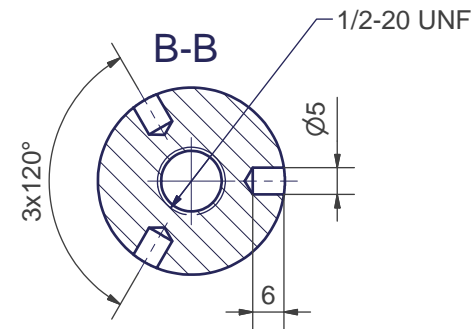
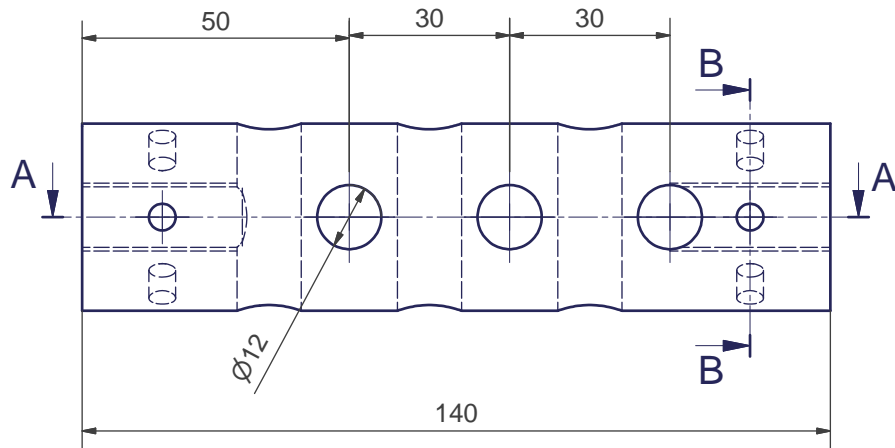


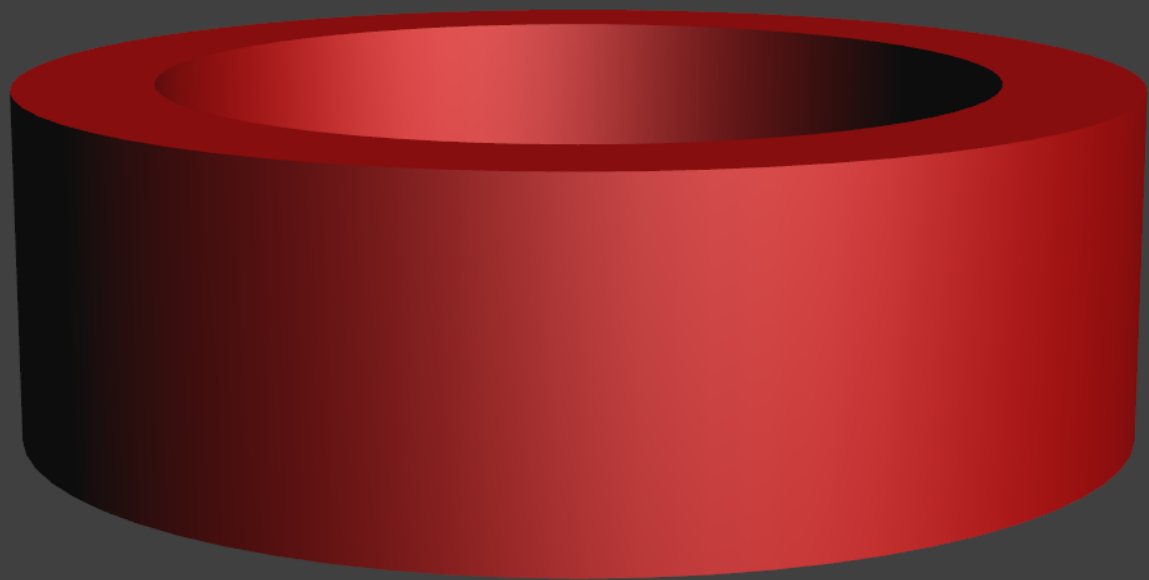
Anglage général 0.3...0.5 $\sqrt{Ra\ 0.8}$

		Pipe Clamp $\varnothing 120.40$ mm		Aluminium 7075 / Eloxé Bleu N°20																	
Pos.	Qté.	Dénomination			Matière / Traitement thermique																
MPI-ULTRASONICS		Tolérances générales SN 258440				Date: 09/12/08	Echelle														
Marais 36		Degré de précision f (fin)				Dessiné															
2400 Le Locle						C.Prieur															
Switzerland						N° de dessin															
email:						<table border="1"> <tr> <td>Dimension nominale [mm]</td> <td>>3 ...6</td> <td>>6 ...30</td> <td>>30 ...120</td> <td>>120 ...400</td> <td>>400 ...1000</td> <td>>1000 ...2000</td> </tr> <tr> <td>Ecarts [mm]</td> <td>± 0.05</td> <td>± 0.1</td> <td>± 0.15</td> <td>± 0.2</td> <td>± 0.3</td> <td>± 0.5</td> </tr> </table>		Dimension nominale [mm]	>3 ...6	>6 ...30	>30 ...120	>120 ...400	>400 ...1000	>1000 ...2000	Ecarts [mm]	± 0.05	± 0.1	± 0.15	± 0.2	± 0.3	± 0.5
Dimension nominale [mm]	>3 ...6	>6 ...30	>30 ...120	>120 ...400	>400 ...1000	>1000 ...2000															
Ecarts [mm]	± 0.05	± 0.1	± 0.15	± 0.2	± 0.3	± 0.5															
mpi@mpi-ultrasonics.com		Confidential Information																			
Phone / Fax:																					
+41-(0)-32-9314045																					

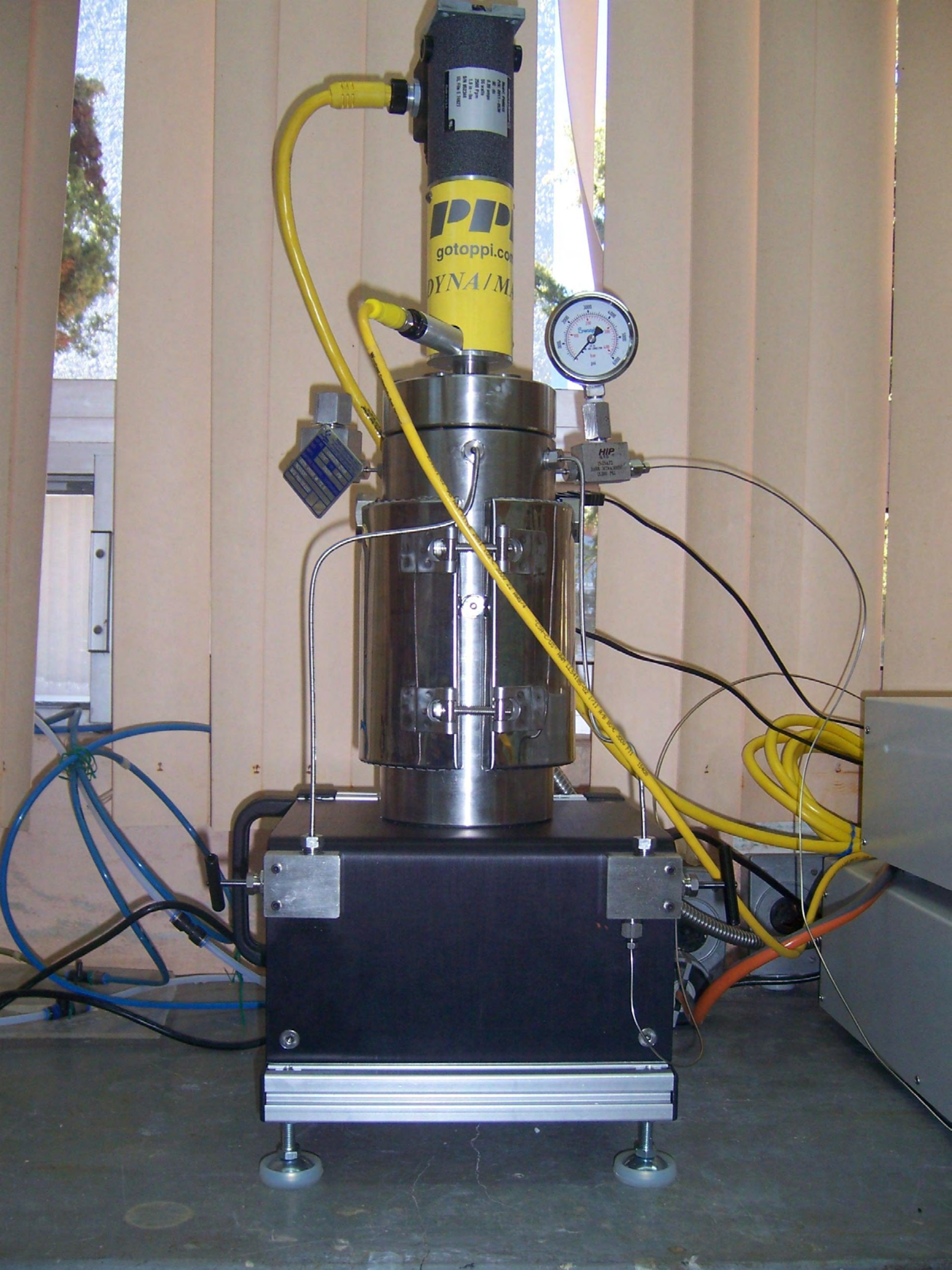




1	Waveguide $\varnothing 35 \times 140$ mm	Aluminium 7075 / Eloxé Bleu N°20															
Pos.	Qté.	Dénomination	Matière / Traitement thermique														
MPI-ULTRASONICS		Tolérances générales SN 258440															
Marais 36		Degré de précision f (fin)															
2400 Le Locle		Date: 20/10/06															
Switzerland		Dessiné															
email:		C. Prieur															
mpi@mpi-ultrasonics.com		N° de dessin															
Phone / Fax:		Echelle															
+41-(0)-32-9314045		1:1															
		<table border="1"> <tr> <th>Dimension nominale [mm]</th> <th>>3 ...6</th> <th>>6 ...30</th> <th>>30 ...120</th> <th>>120 ...400</th> <th>>400 ...1000</th> <th>>1000 ...2000</th> </tr> <tr> <th>Ecarts [mm]</th> <td>± 0.05</td> <td>± 0.1</td> <td>± 0.15</td> <td>± 0.2</td> <td>± 0.3</td> <td>± 0.5</td> </tr> </table>		Dimension nominale [mm]	>3 ...6	>6 ...30	>30 ...120	>120 ...400	>400 ...1000	>1000 ...2000	Ecarts [mm]	± 0.05	± 0.1	± 0.15	± 0.2	± 0.3	± 0.5
Dimension nominale [mm]	>3 ...6	>6 ...30	>30 ...120	>120 ...400	>400 ...1000	>1000 ...2000											
Ecarts [mm]	± 0.05	± 0.1	± 0.15	± 0.2	± 0.3	± 0.5											
Confidential Information																	







PIP
gotoppi.com
DYNA/M



PIP
2-2342
3000 PSI
0.500 IN.

PIP
2-2342
3000 PSI
0.500 IN.





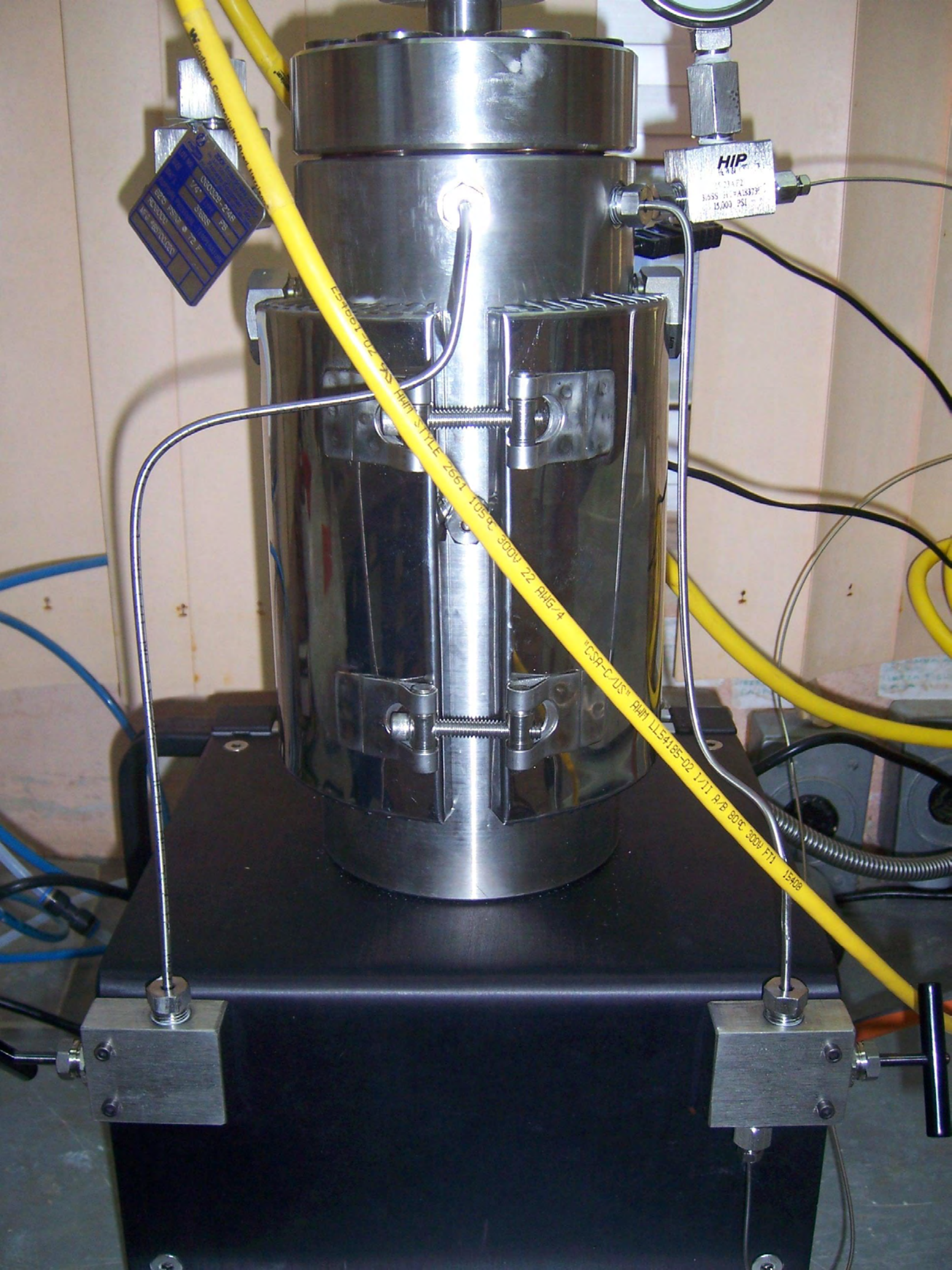
Model: 180023
Part No: 18011-0028
Made in USA

oppi.com
A/MAG

Pressure Gauge
Scale: 0 to 1500 PSI

HIP
153142
1000 (27A-107)
1500 PSI

Bosch



00132-248
300 PSI 2 F
300 PSI 2 F
300 PSI 2 F
300 PSI 2 F

HIP
10 21472
3000 PSI 15,000 PSI

EST1991-02-22
HIPM STYLE 2661 1059C 300V 22 R4E/4
"CSR-C-US" R4M LLS4185-02 1/11 R/B 809 300V FT1 13402



HIP
INC. USA
15-23AF2
316SS HT#A18373
15,000 PSI

14 16 AWG/3C (UL) STOOW 105°C

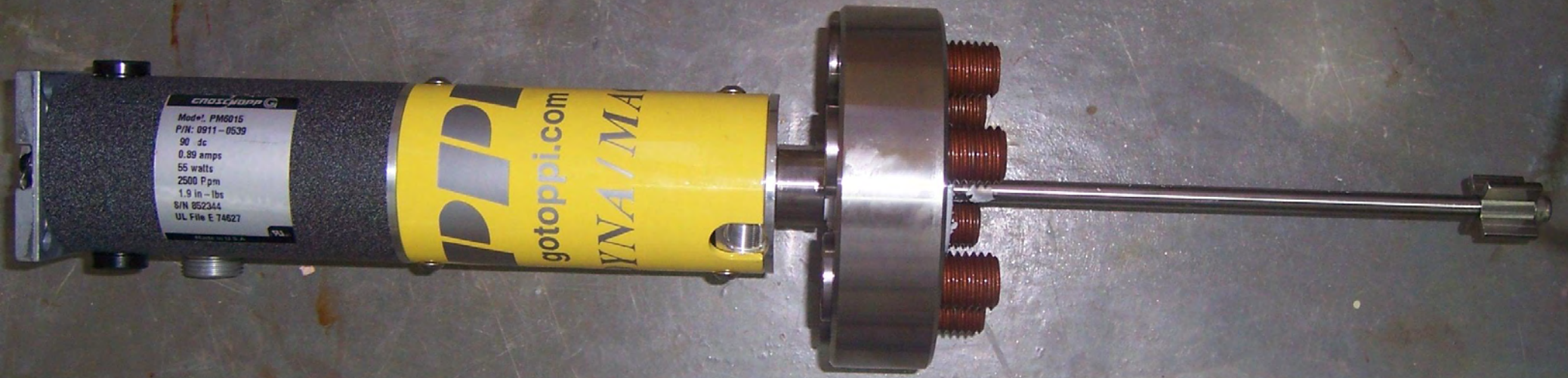
14 16 AWG/3C (UL) STOOW 105°C

200K Enterprises LLC
Process Equipment Inc.
1000 Enterprise Blvd
St. Louis, MO 63103
Tel: 314-344-7000
Fax: 314-344-7001
www.200k.com

LOT NO.	060329-2145
SIZE	1/4"
MAT'L	316SS
TYPE	FB
RUPTURE PRESSURE - TEMPERATURE	6215 PSIG @ 72 F
RDG000	
IFB #857031020	

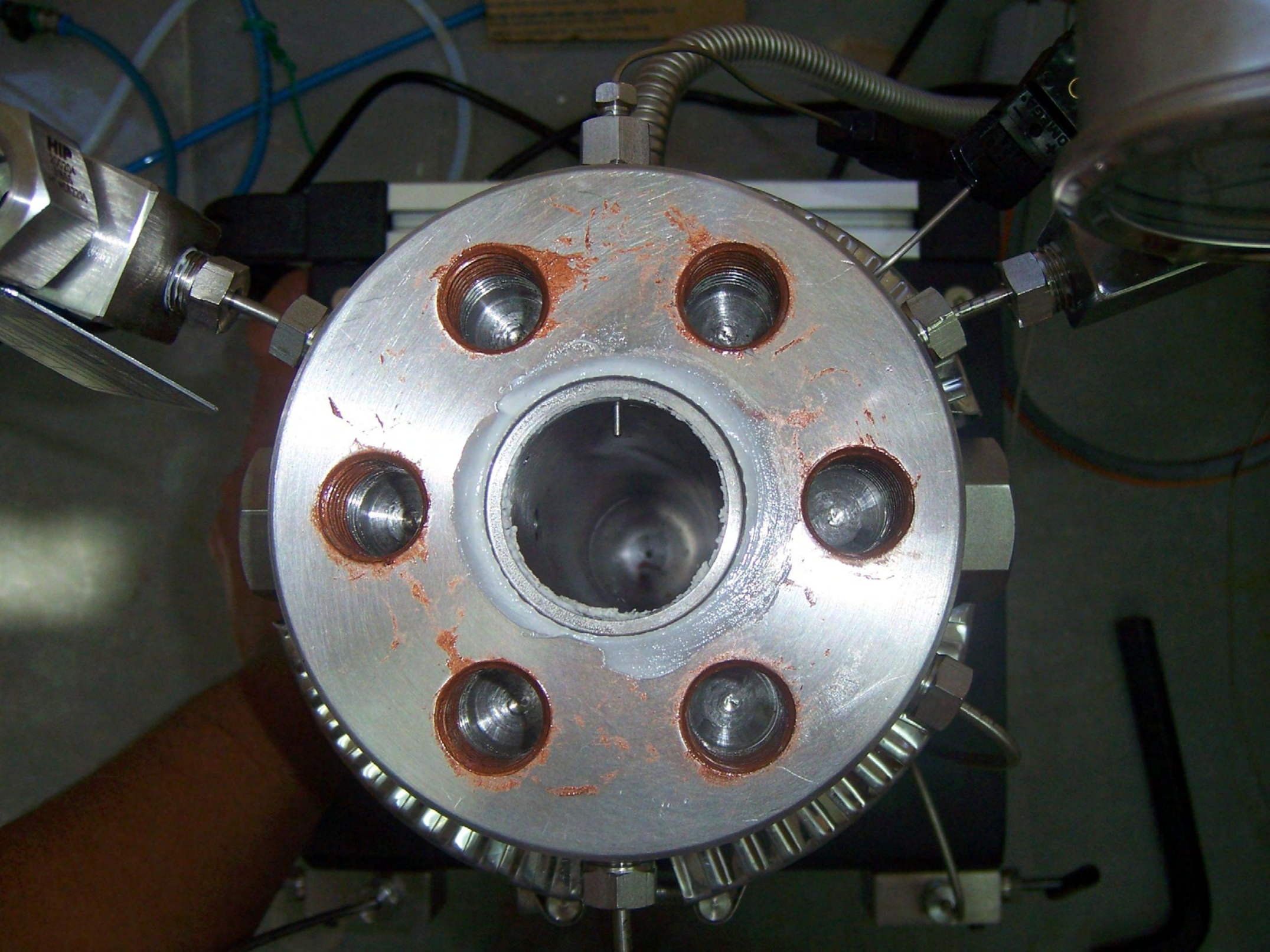






Crosshopp
Model: PM6015
P/N: 0911-0539
90 dc
0.89 amps
55 watts
2500 Ppm
1.9 in - lbs
S/N 052344
UL File E 74627

PP
gotoppi.com
YNA/MA





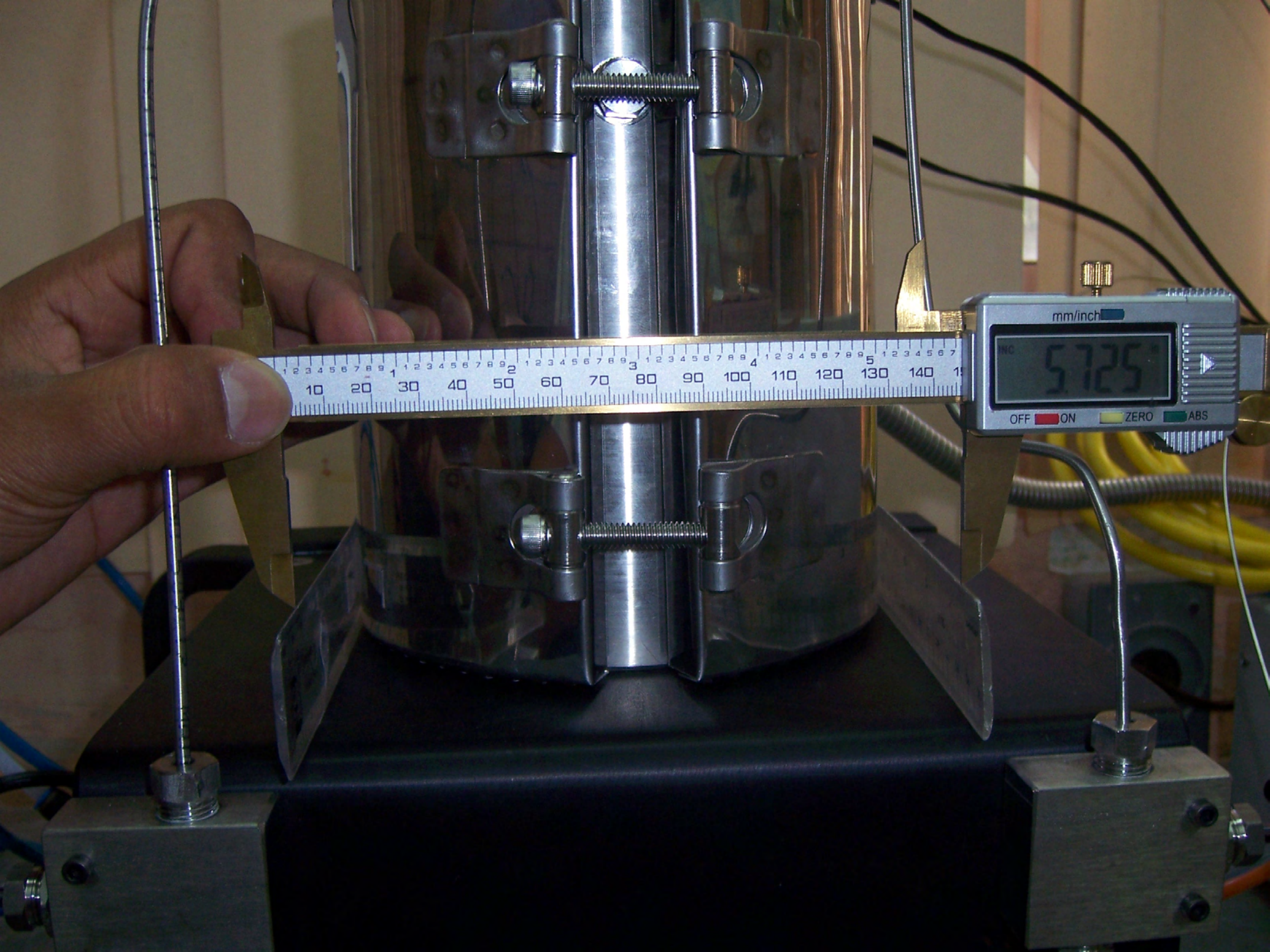




UNIVERSITY OF CALIFORNIA
SAN DIEGO
CALIFORNIA 92092
PHYSICS DEPARTMENT
SAN DIEGO, CALIFORNIA 92092
TEL: 619-594-1000
WWW.PHYSICS.UCLA.EDU

HIP
15-23AF2
3.655 FIT-A13173
15,000 PSI





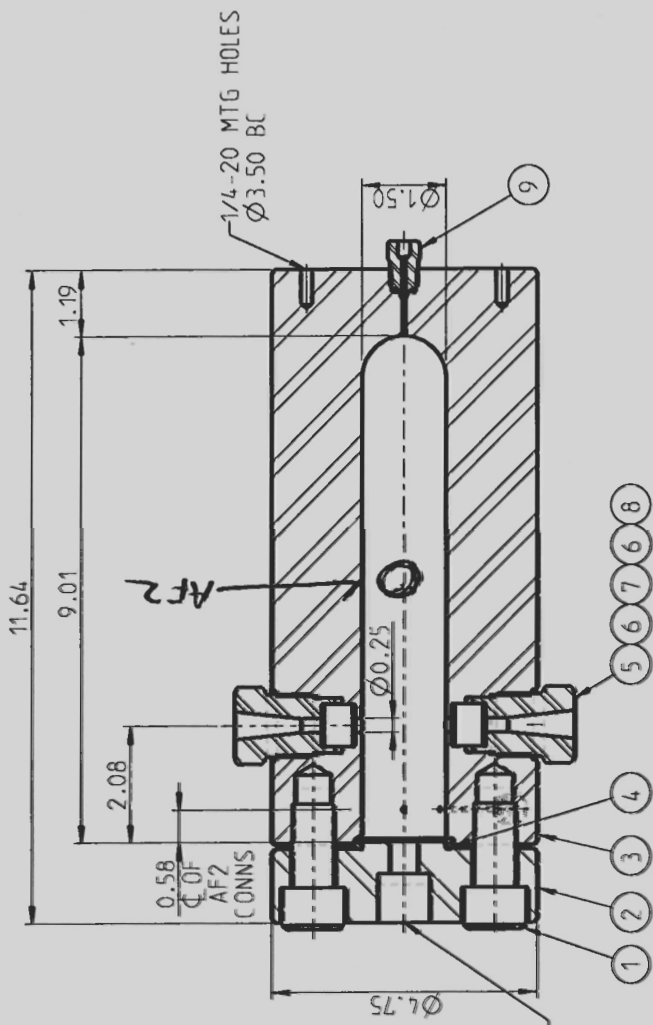
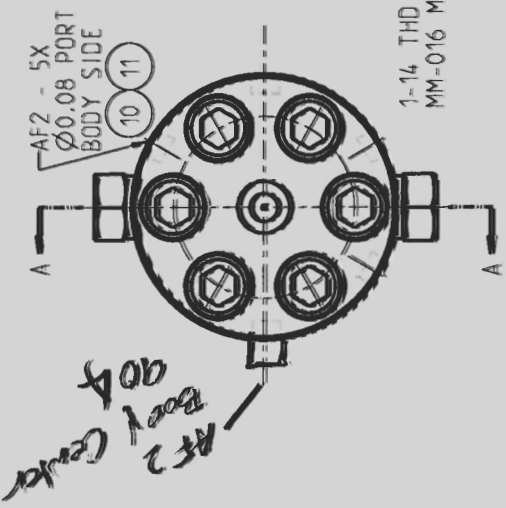
mm/inch

WC
5.725

OFF ON ZERO ABS

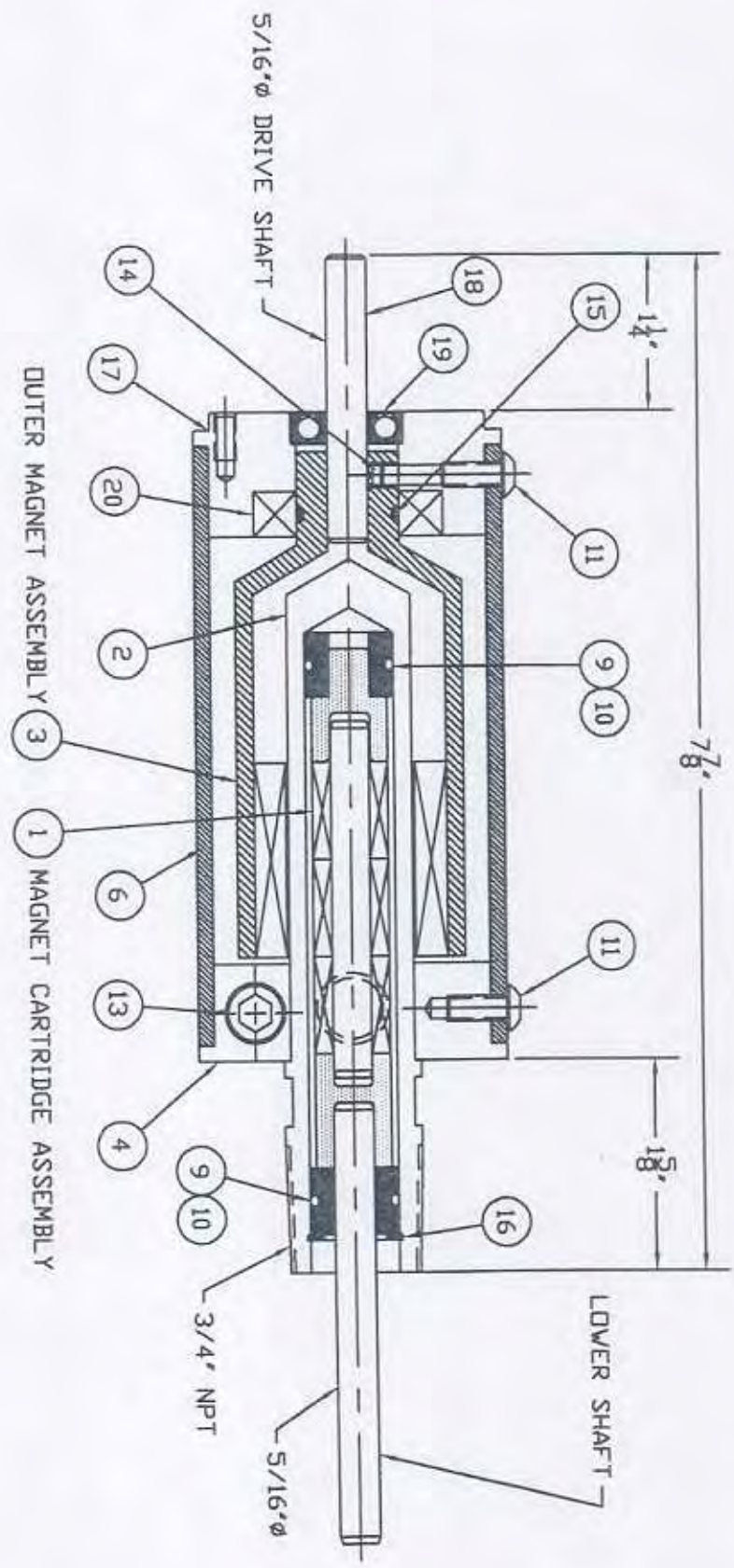
BILL OF MATERIALS				BILL OF MATERIALS							
ITEM	QTY	DESCRIPTION	PART NO.	DRAWING	MATERIAL	ITEM	QTY	DESCRIPTION	PART NO.	DRAWING	MATERIAL
1	6	3/4-10 CAP SCREW	B01484		SA193 B7	7	2	WINDOW	B01514		QUARTZ
2	1	COVER	602840	602840	316	8	2	O-RING UNIF #210	B01378		VITON
3	1	BODY	802171	802171	316	9	1	T/C ADAPTER	15-21AF1AM2-T		316
4	1	GASKET	211964	211964	316	10	5	SLEEVE	15-2A2		316/4140
5	2	WINDOW RETAINER	209269	209269	316	11	5	GLAND	15-2AM2		316
6	4	GASKET	209574B	209574	PEEK						

DESIGN PRESSURE 6000 PSI AT 150 °C (302 °F)
 HYDROSTATIC TEST PRESSURE 8000 PSI
 APPROXIMATE CAP SCREW TORQUE 40 FT•LB
 APPROXIMATE ASSEMBLY WEIGHT 55 LB

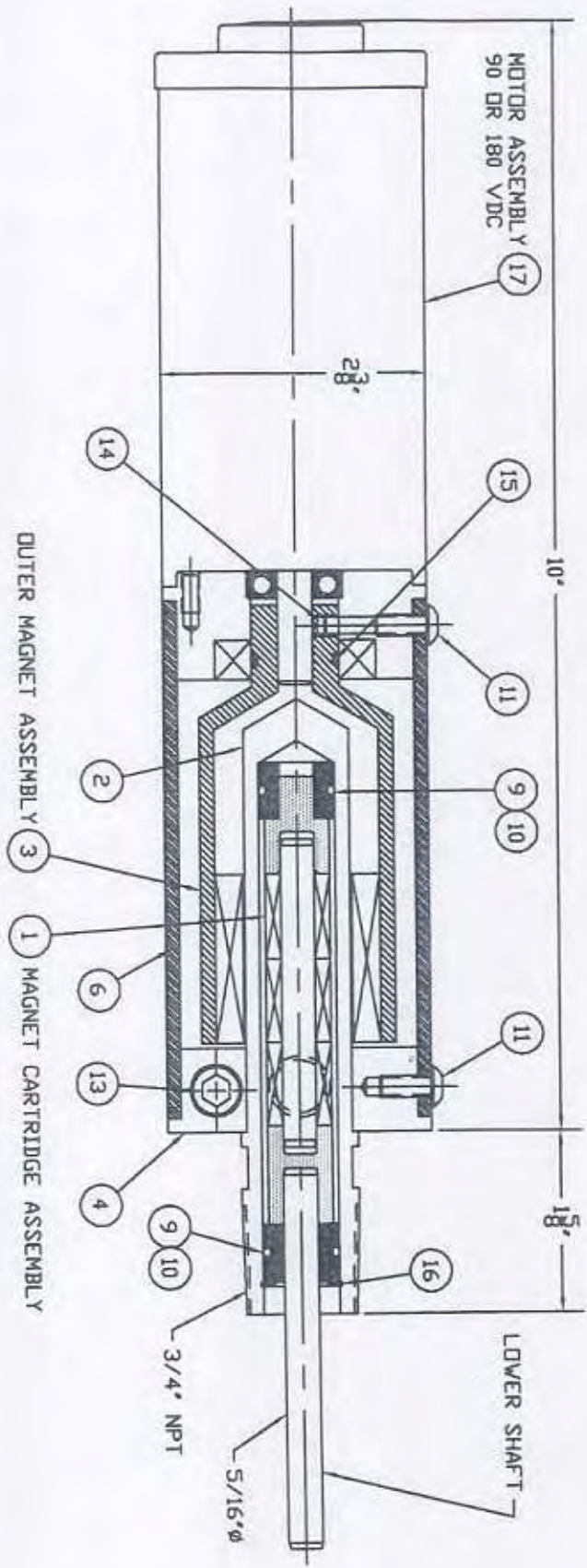


Approved with changes		DISTRIBUTION OR REPRODUCTION OF THIS DOCUMENT IS PROHIBITED WITHOUT WRITTEN PERMISSION FROM HIGH PRESSURE EQUIPMENT COMPANY		HIGH PRESSURE EQUIPMENT COMPANY ERIE, PENNSYLVANIA USA	
<i>[Signature]</i> 8/21/08		BC REACTOR		802170	
NO.	REVISION	DATE	BY	EQUIPMENT COMPANY	JM
		2008-08-21		2008-08-21	

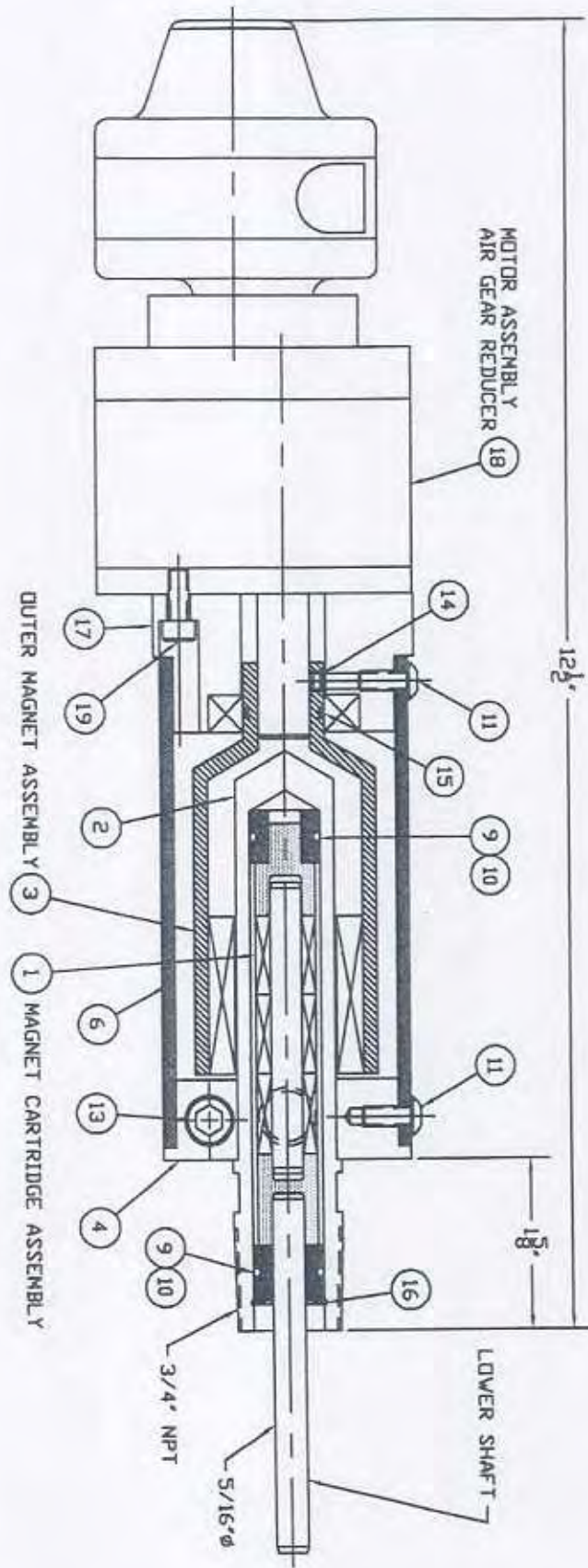
STD TOLERANCES AND MFG PRACTICES ES-002



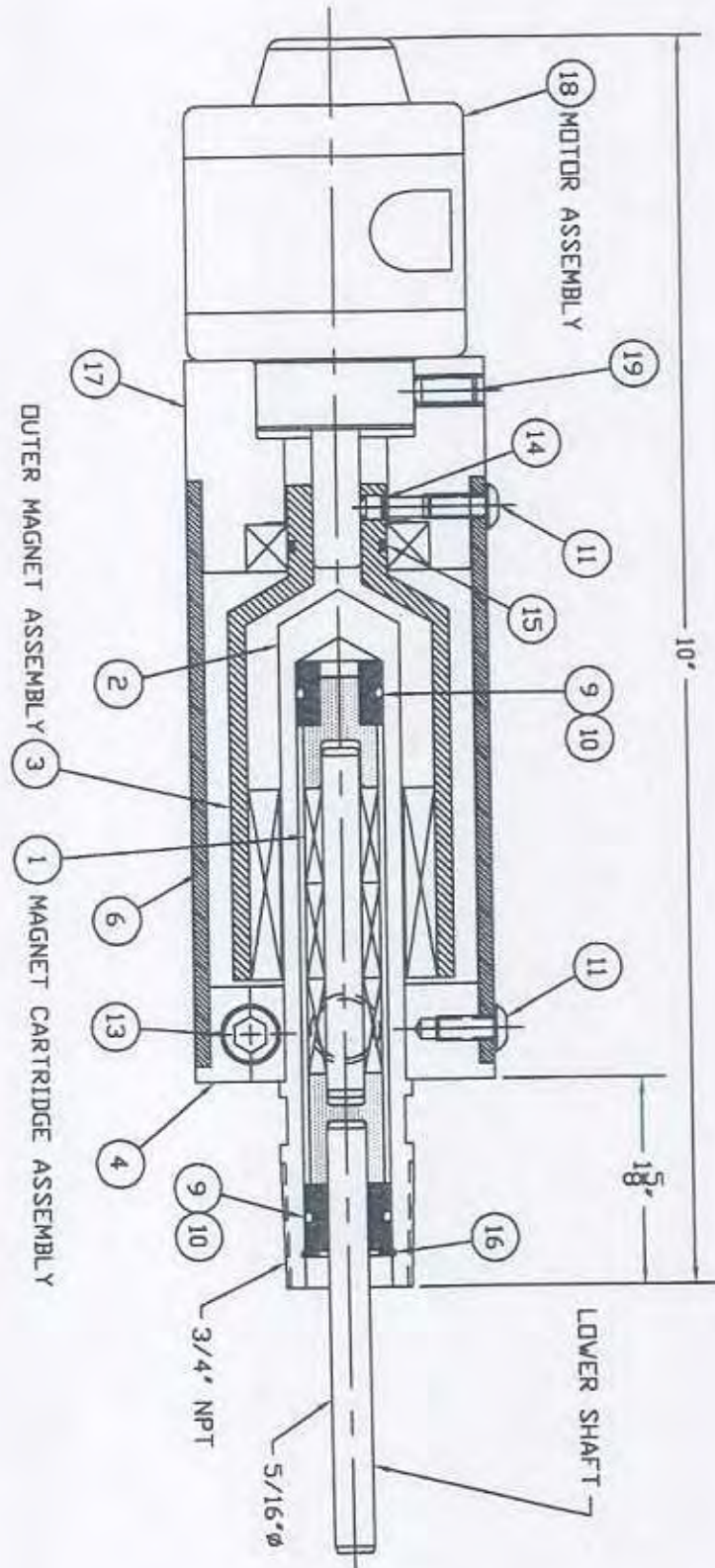
DRAWING # C-9808-100



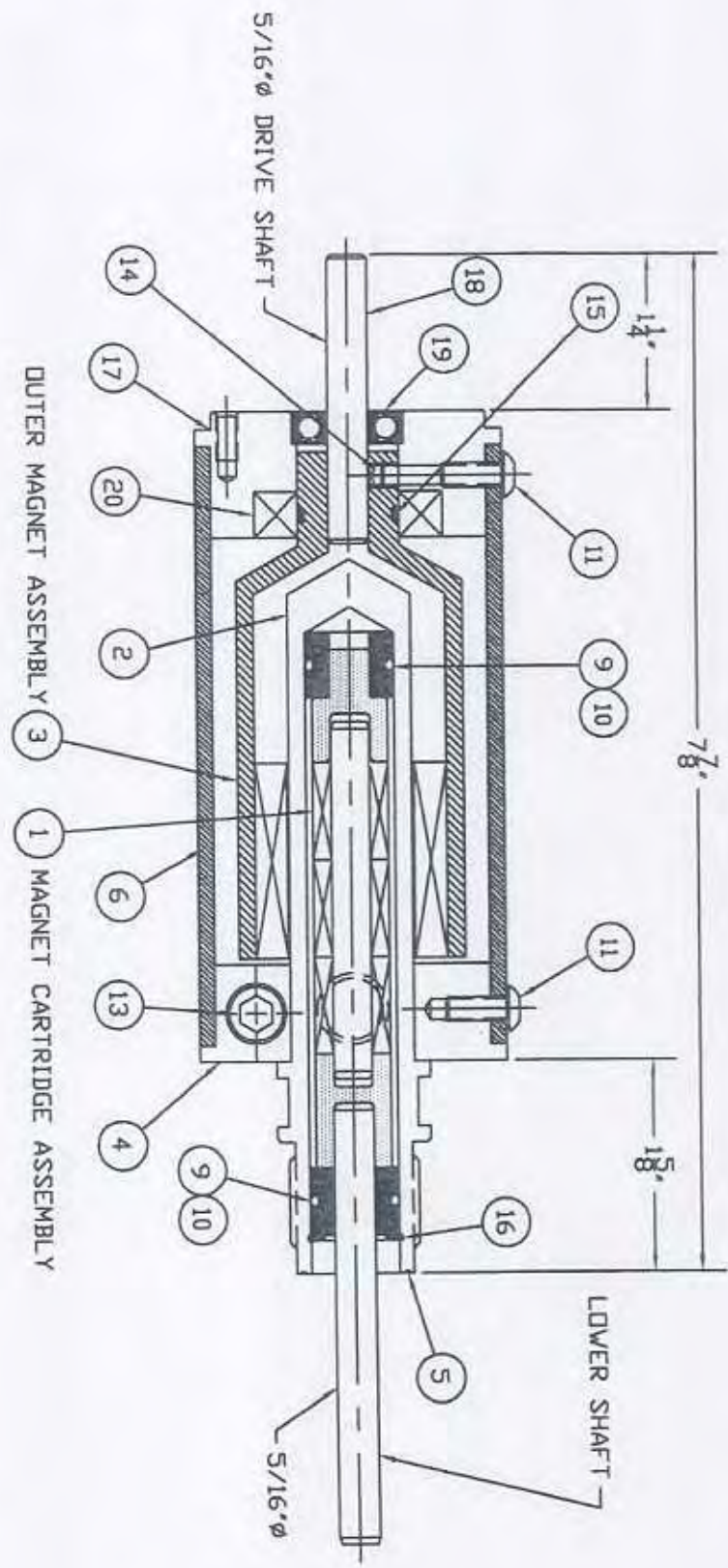
DRAWING # C-9809-100



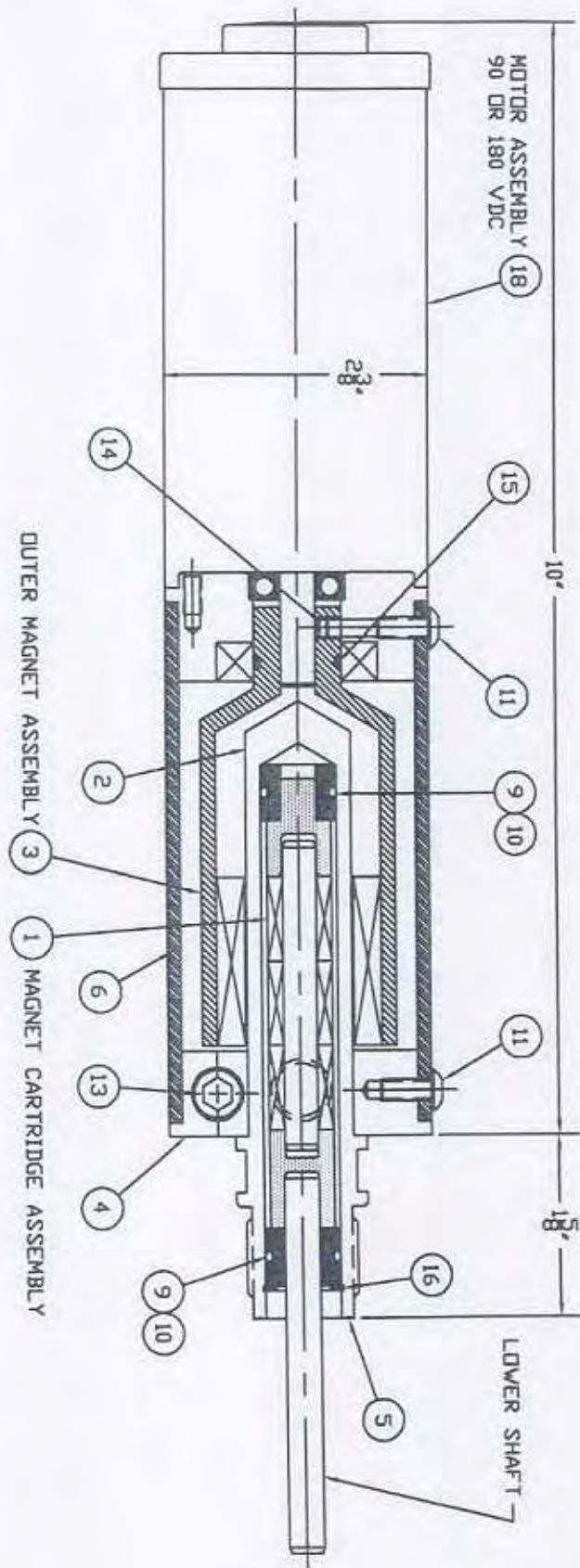
DRAWING # C-9810-100



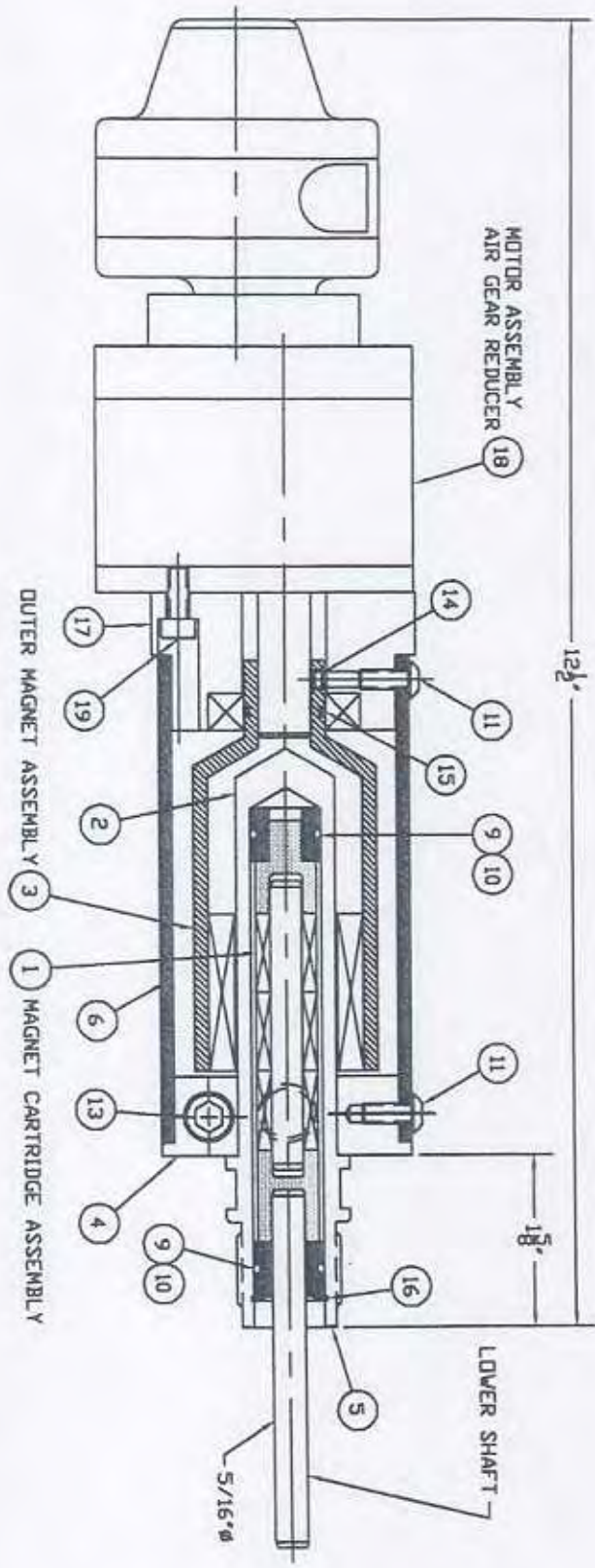
DRAWING # C-9813-100



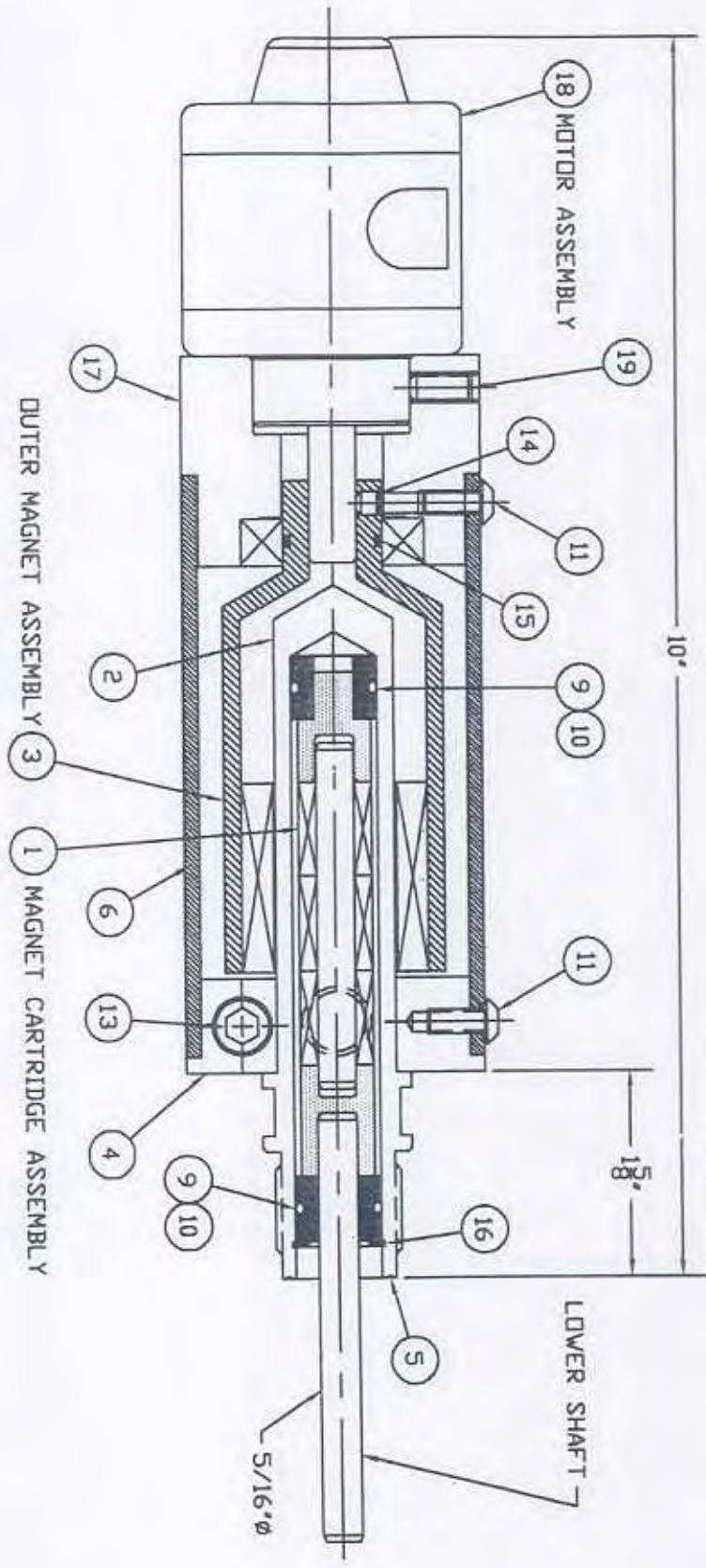
DRAWING # C-9816-100



DRAWING # C-9807-100



DRAWING # C-9814-100



DRAWING # C-9815-100