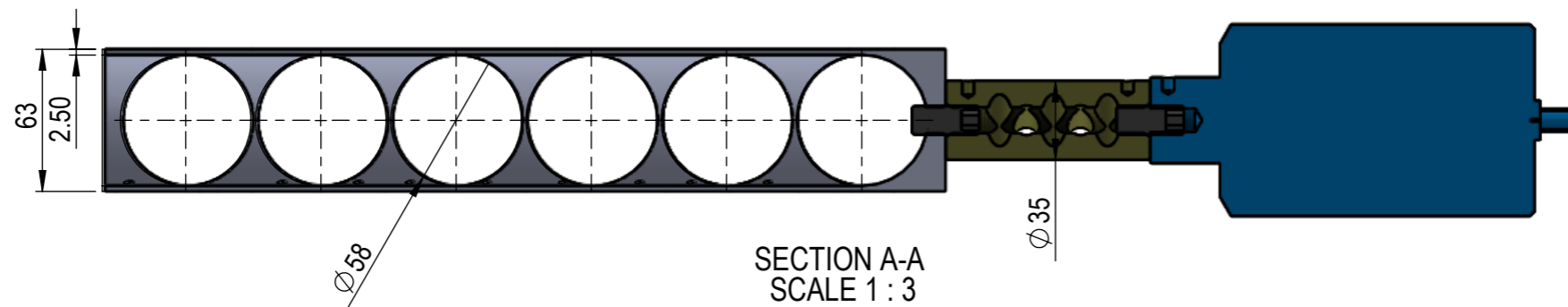
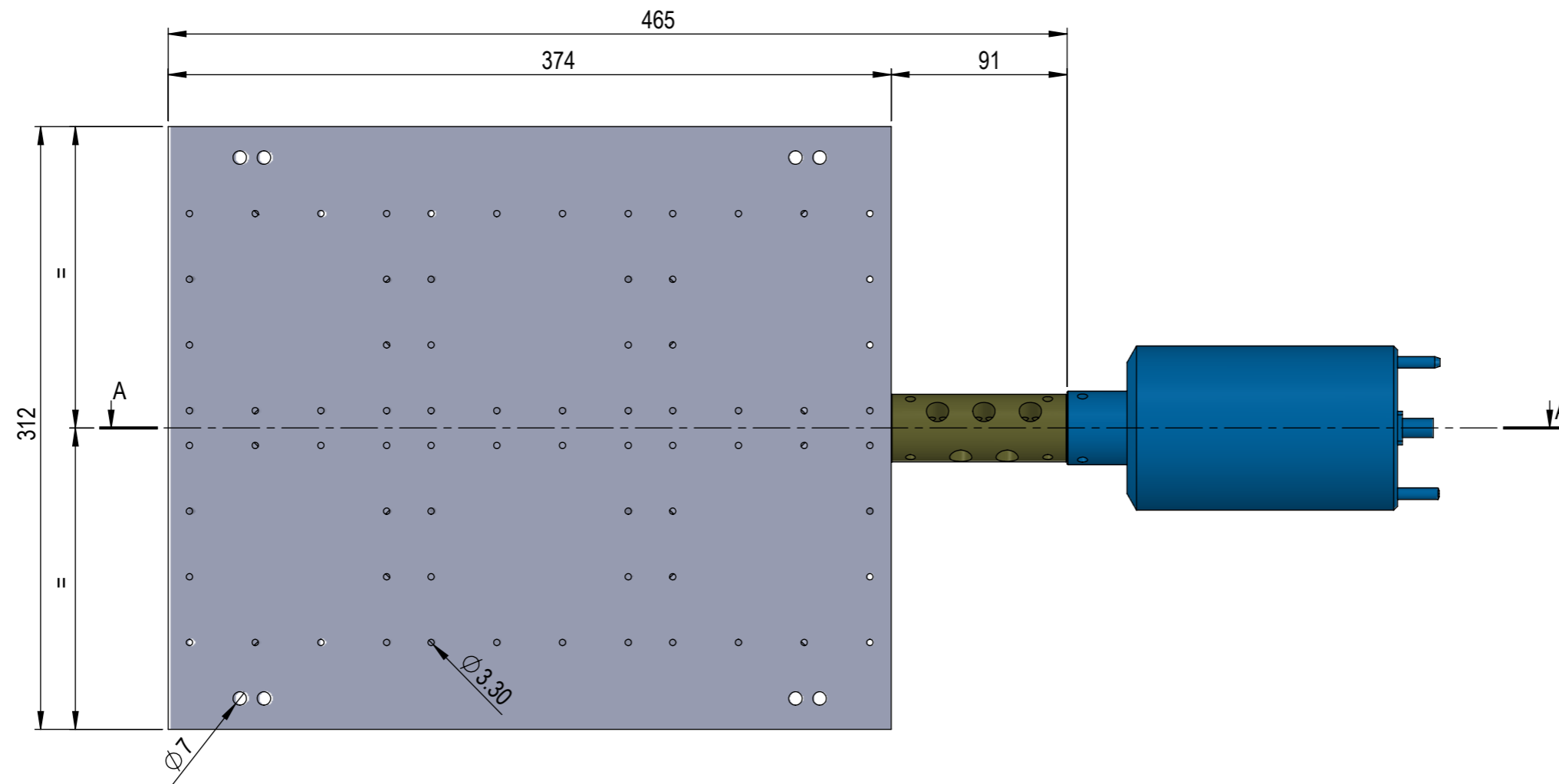


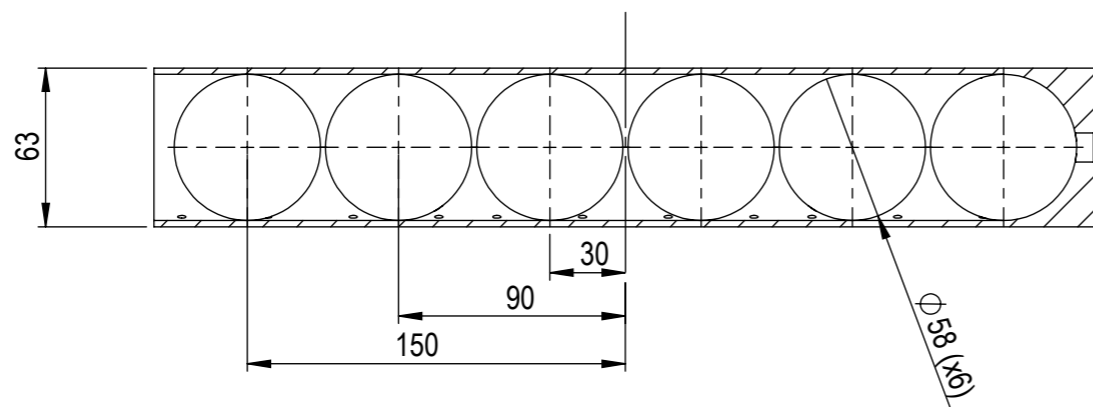
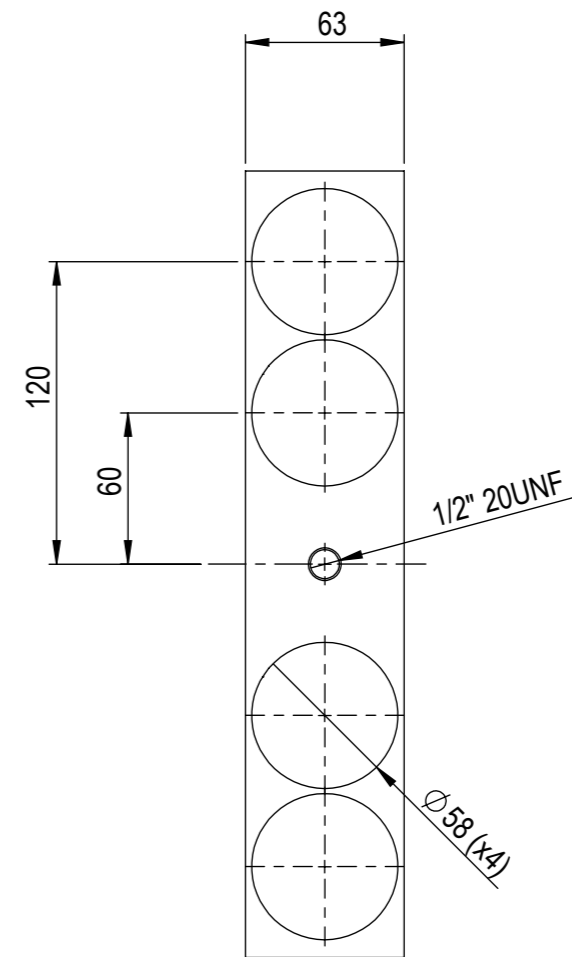
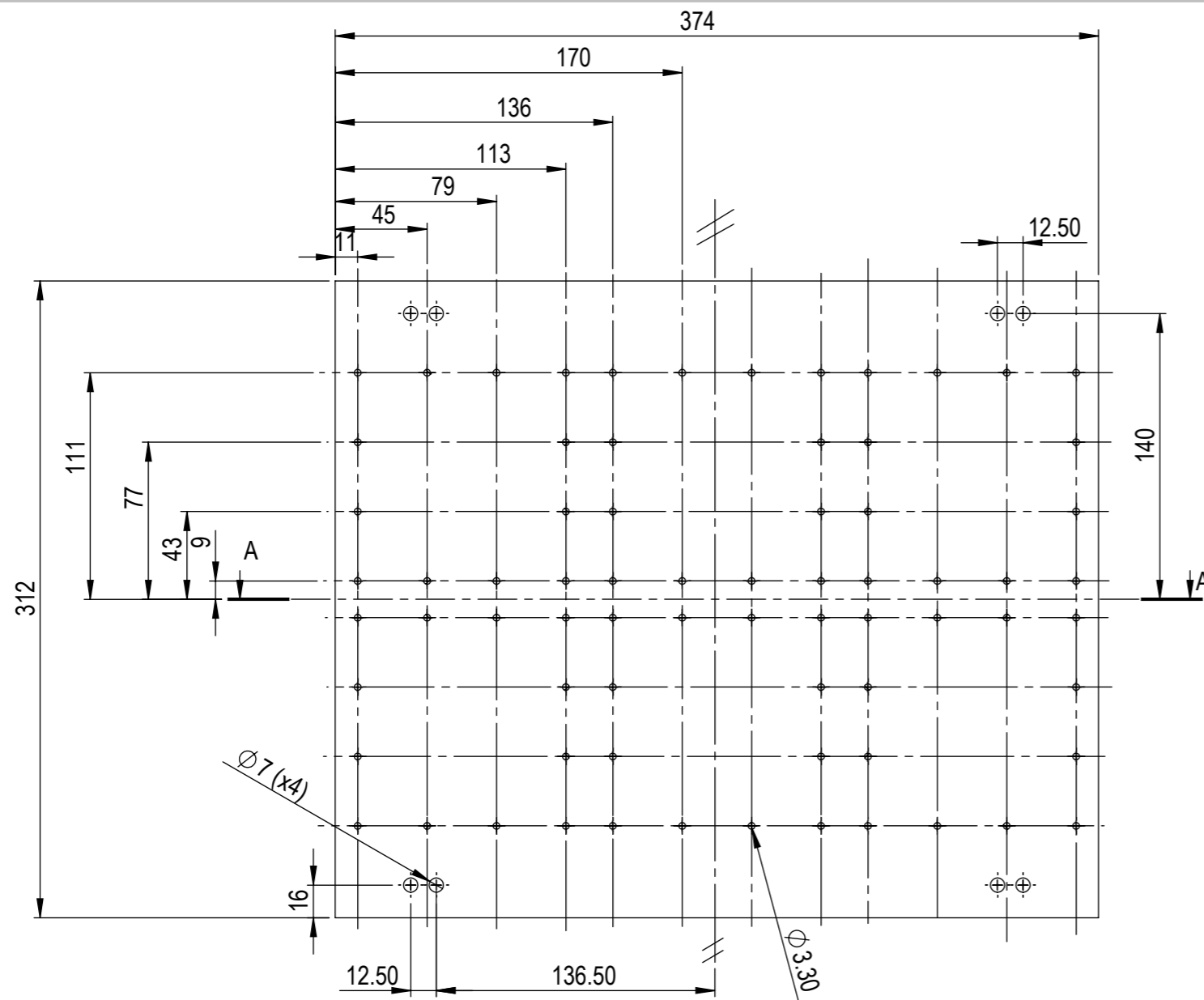
Enable 3D View



general angle 0,3...0,5  $\nabla$  N8 Ra 0,8

PROJECT DIRECTOR M.Prokic	DATE 22.06.2012	DEBUR AND BREAK SHARP EDGES	DO NOT SCALE DRAWING	REVISION					
drew H. Puga	DATE MODIFY		<b>MPI-ULTRASONICS</b> MARAIS 36 2400 Le Locle Switzerland e-mail : mpi@mpi-ultrasonics.com phone +41 (0) 32 9314045						
MATERIAL:									
General tolerance SN 258440			Plate_Waveguide_US						
dimension nominale (mm)	>3 ...6	>6 ...30	>30 ...120	>120 ...400	>400 ...1000	>1000 ...2000	SCALE: 1:1	SHEET 1 OF 1	A3
Ecart (mm)	± 0.05	± 0.1	± 0.15	± 0.2	± 0.3	± 0.5			

Enable 3D View



SECTION A-A  
SCALE 1 : 3

general angle 0,3...0,5  $\nabla$  N8 Ra 0,8

PROJECT DIRECTOR M.Prokic	DATE 22.06.2012	DEBUR AND BREAK SHARP EDGES	DO NOT SCALE DRAWING	REVISION		
drew H. Puga	DATE MODIFY		<b>MPI-ULTRASONICS</b> MARAIS 36 2400 Le Locle Switzerland e-mail : mpi@mpi-ultrasonics.com phone +41 (0) 32 9314045			
MATERIAL:						
General tolerance SN 258440			Plate			
dimension nominale (mm)	>3 ...6	>6 ...30	>30 ...120	>120 ...400	>400 ...1000	>1000 ...2000
Ecart (mm)	$\pm 0.05$	$\pm 0.1$	$\pm 0.15$	$\pm 0.2$	$\pm 0.3$	$\pm 0.5$
			SCALE: 1:1	SHEET 1 OF 1	A3	