

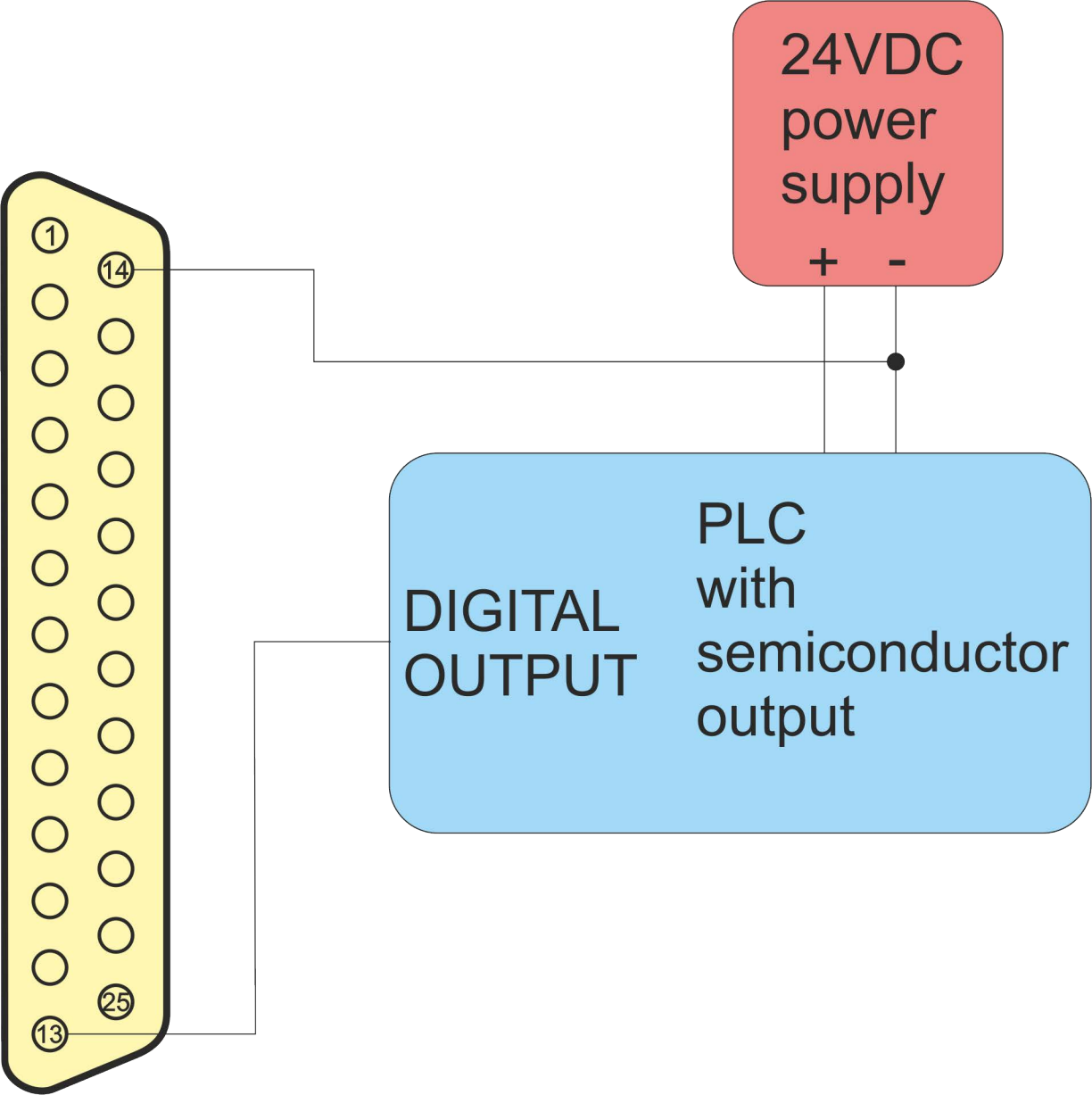
1

14

25

13

PLC
with
neutral
relay
contact



24VDC
power
supply

+ -

DIGITAL
OUTPUT

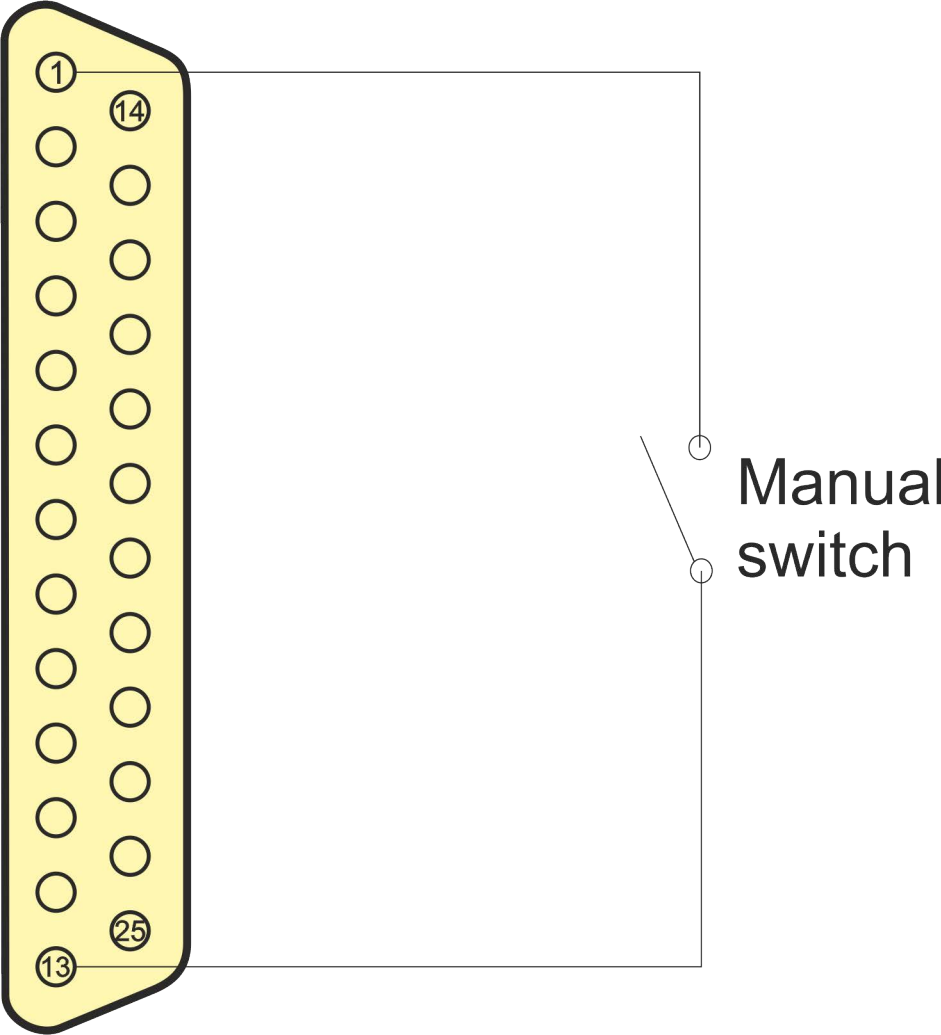
PLC
with
semiconductor
output

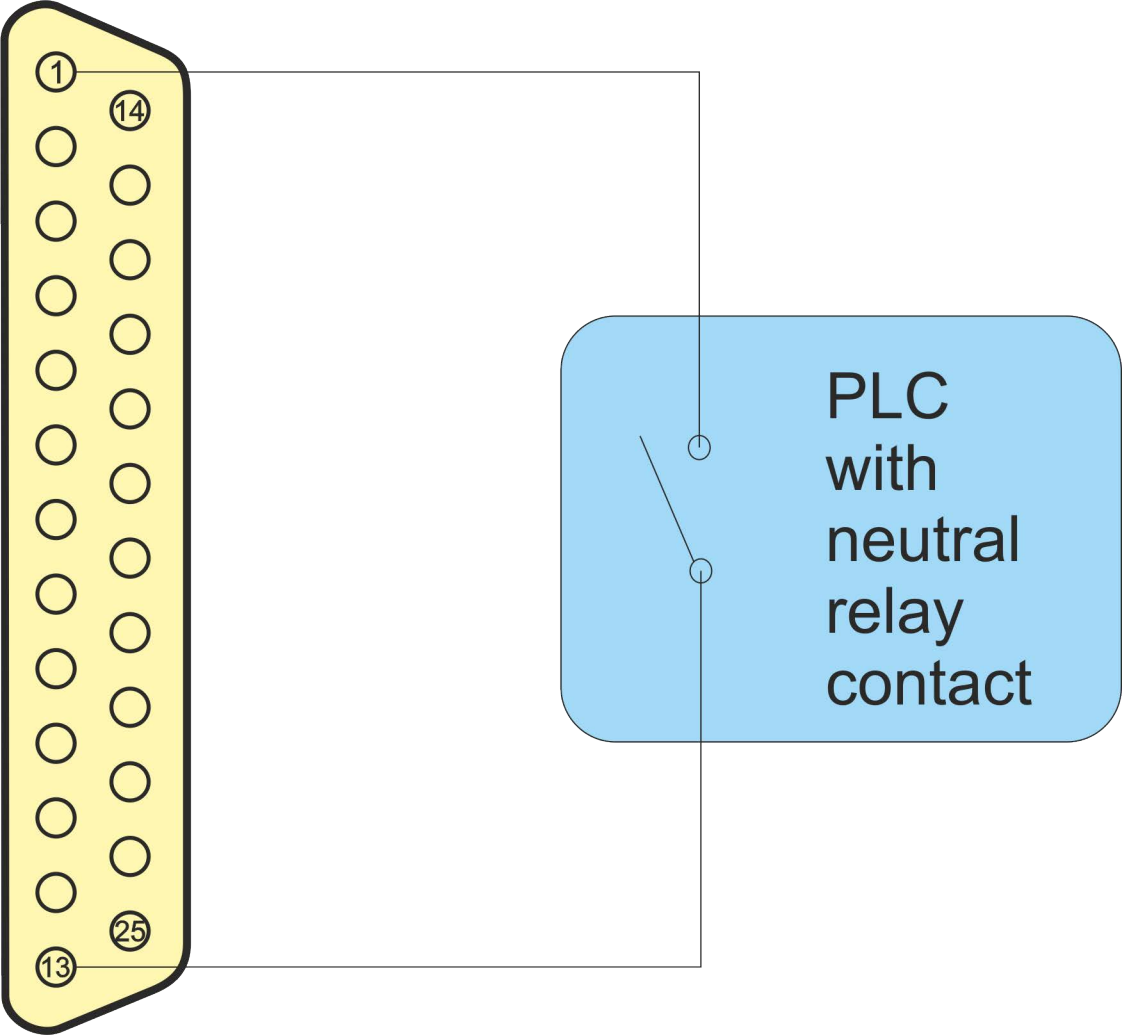
1

14

25

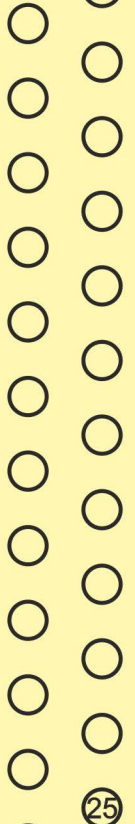
13





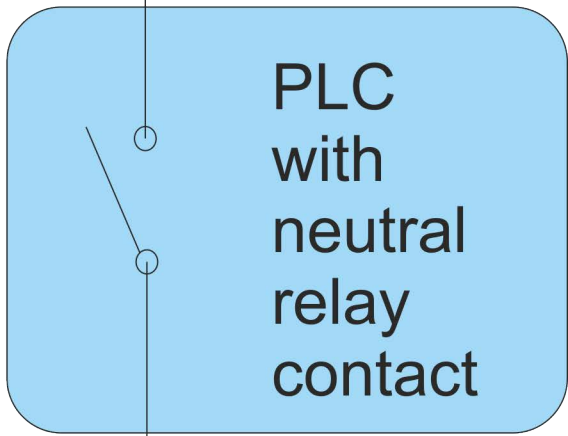
1

14

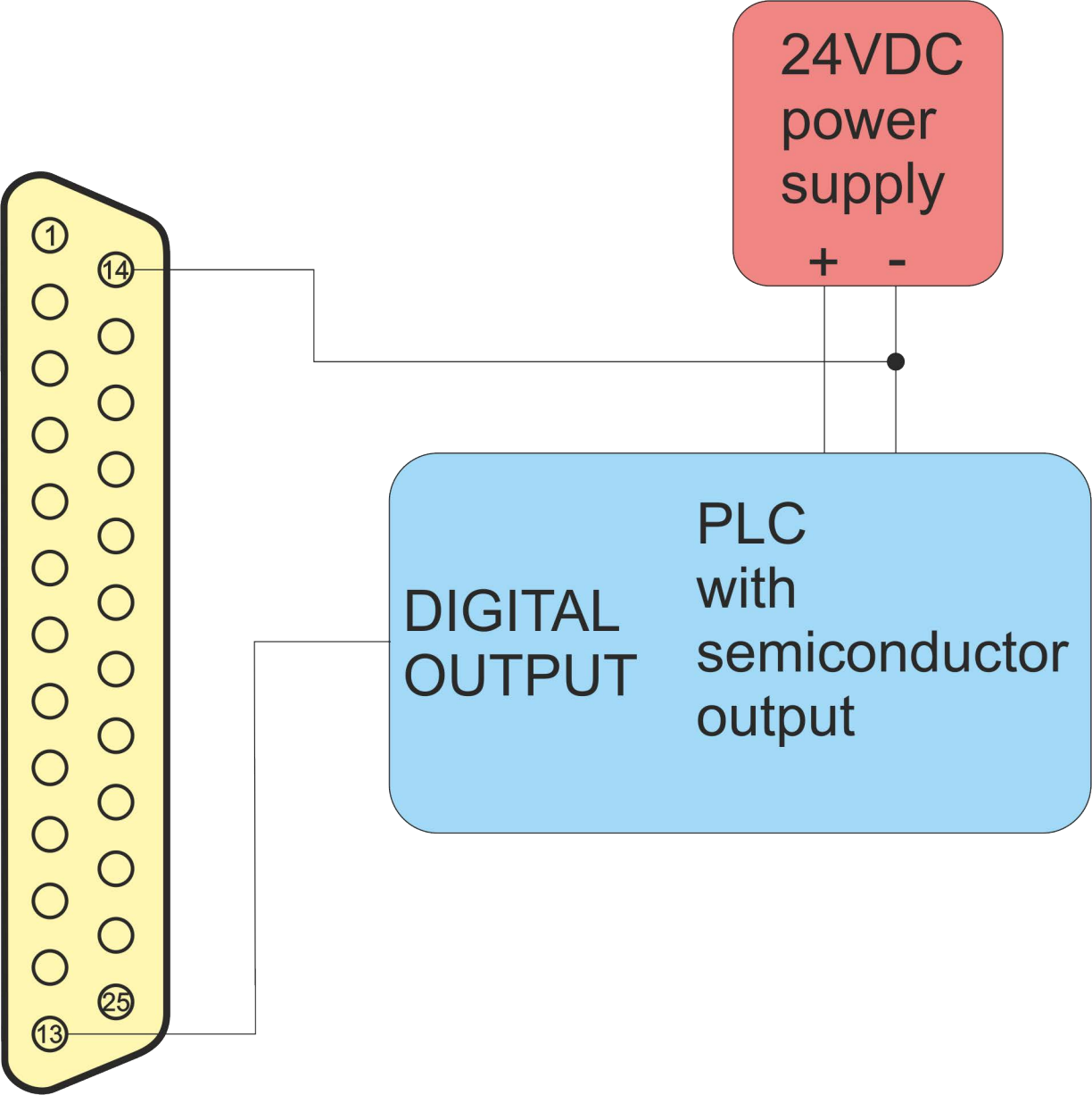


13

25



PLC
with
neutral
relay
contact



24VDC
power
supply

+ -

DIGITAL
OUTPUT

PLC
with
semiconductor
output

1

14

25

13