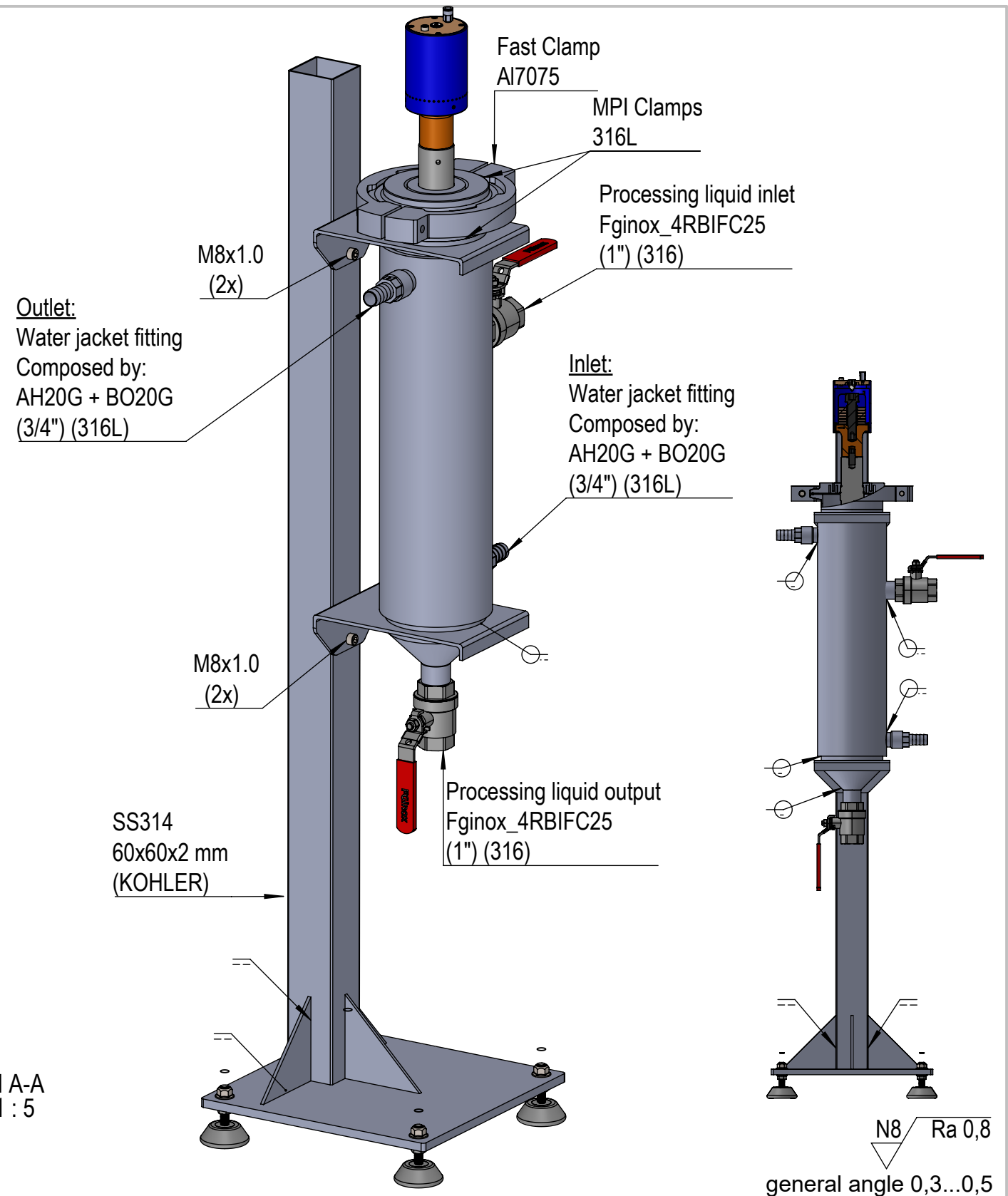


SECTION A-A
SCALE 1 : 5



PROJECT DIRECTOR M.Prokic	DATE 17.08.20182	DEBUR AND BREAK SHARP EDGES	DO NOT SCALE DRAWING	REVISION			
drew H. Puga	DATE MODIFY		MPI-ULTRASONICS MARAIS 36 2400 Le Locle Switzerland e-mail : mpi@mpi-ultrasonics.com phone +41 (0) 32 9314045				
MATERIAL:							
General tolerance SN 258440							
dimension nominale (mm)	>3 ...6	>6 ...30	>30 ...120	>120 ...400	>400 ...1000	>1000 ...2000	Liposomes-Reactor
Ecart (mm)	± 0.05	± 0.1	± 0.15	± 0.2	± 0.3	± 0.5	
			SCALE: 1:1	SHEET 1 OF 1	A3		

