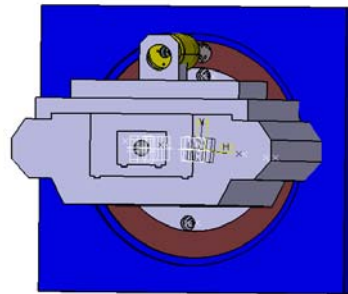
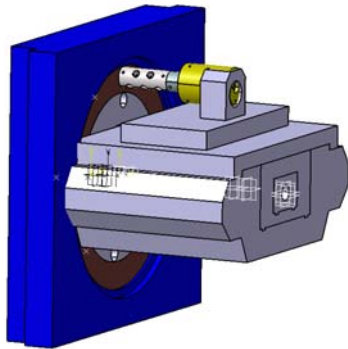
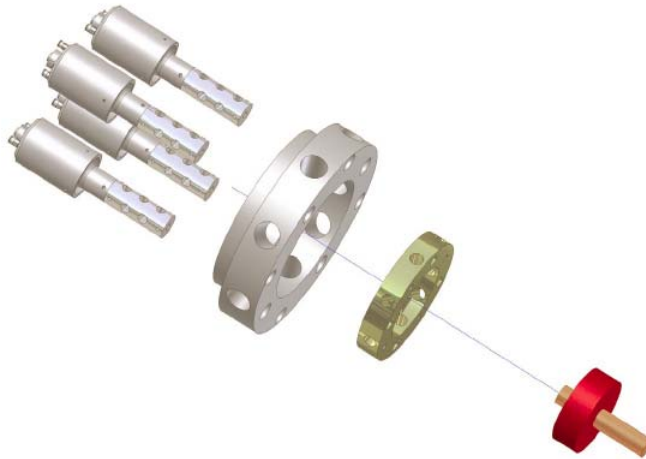
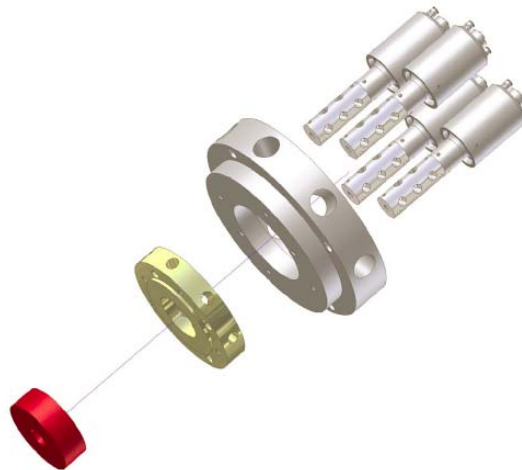
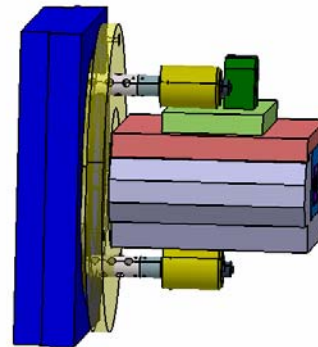
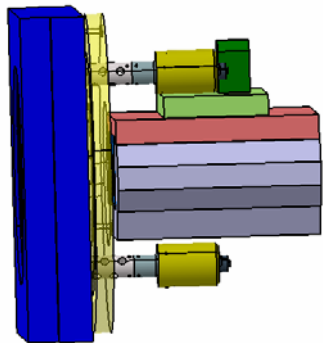
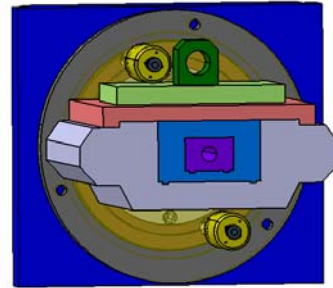
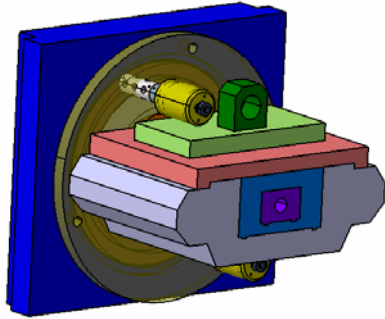


Marais 36  
2400, Le Locle  
Switzerland  
mpi@bluewin.ch

Phone/Fax: +41- (0)-32-9314045  
email: mpi@mpi-ultrasonics.com  
<http://www.mpi-ultrasonics.com>  
<http://mastersonic.com>

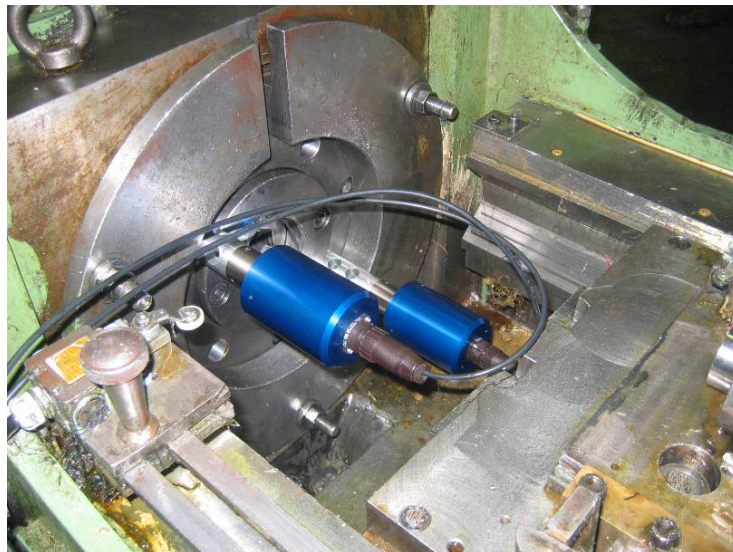
## MPI – MMM – TUBES – WIRES – DRAWING EXAMPLES



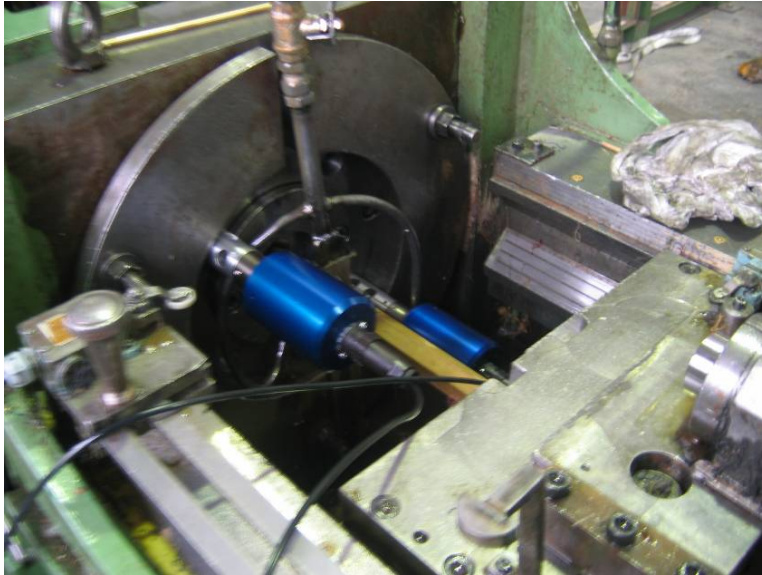




## ULTRASONIC DRAWING INSTALLATION



Side view. Two transducers 180° separated. The transducers are located in the bushing.



The entrance carriage is introducing the brass profile in the die. When it is ready, the exit carriage draws through the profile.



Machine with the transducers

View of the machine and ultrasonic equipment